

TAKSTAR® 得胜



GH1 有线动圈麦克风 Wired Dynamic Microphone

使用手册 | User Manual

■ 前言

尊敬的用户：

感谢您选购得胜GH1有线动圈麦克风，为了您能够更好的了解使用本产品，建议您在使用前仔细阅读本说明书。

若存在有疑问或者您有宝贵的建议，可通过拨打得胜官方服务热线400 6828 333或微信扫描二维码关注得胜官方公众号与我们联系。



■ 产品特性

- 高性能动圈人声麦克风，稳定可靠
- 高精密金属网头，防氧化防摔，有效降低机械和振动噪音
- 拥有结实的全金属外壳，坚固耐用，不易磨损
- 超心型拾音特性，可以提供最大反馈前增益，同时还能衰减环境噪音
- 专为人声设计适合的频率响应，提高了人声表现且可有效控制近讲效应

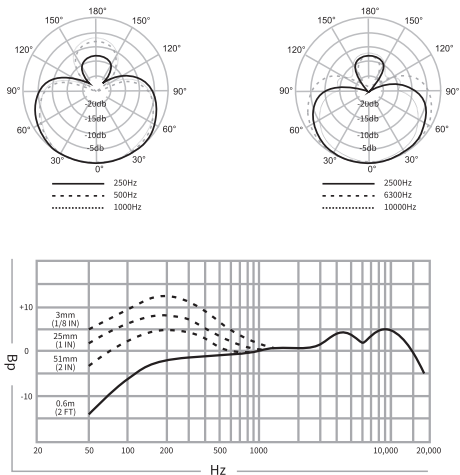
■ 适用范围

适用于现场扩声、舞台演出

■ 包装清单

麦克风.....	1个
麦克风夹子.....	1个
收纳包.....	1个
说明书.....	1份

■ 技术参数

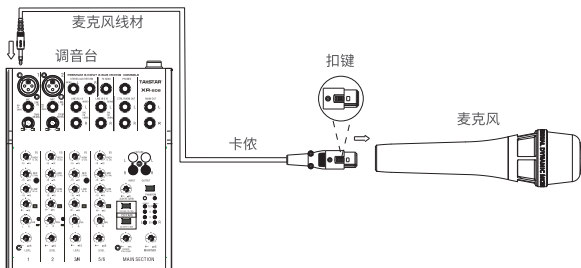


- 单体：动圈式
- 指向性：超心型
- 频率响应：20Hz-20KHz
- 灵敏度：-52.37dB (0dB=1v/Pa at 1KHz)
- 输出阻抗：250Ω±30%(at 1KHz)
- 峰值声压级：138dB (THD<1% at 1KHZ)
- 净重：341g

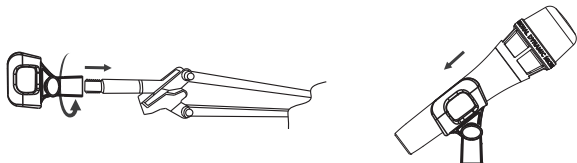
注：以上数据由得胜实验室测试得到，并拥有最终解释权！

■ 使用说明

1. 麦克风与线材连接时，将线材的卡侬头对准麦克风尾部的三针插入，直至扣键定位。
2. 将麦克风线材的另一端与调音台、功放、声卡等音频设备连接即可使用。



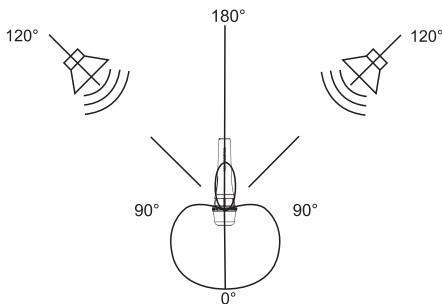
3. 麦克风可手持，也可以安装到支架上使用。安装支架使用时，先将配套的麦克风夹子安装到带有3/8" 或5/8" 标准螺纹接口的麦克风支架上，再将麦克风安装到夹子上，如图所示：



4.建议使用时，应先将音频设备（声卡、调音台等）音量调小，再将音量从小到大慢慢调节至合适，以免声压过大对扬声器造成冲击；尽可能地拉开麦克风与扬声器的距离，避免麦克风和扬声器相对，以免影响麦克风音质及有效控制回馈啸叫。

5.超心型麦克风的扬声器推荐位置：

超心型麦克风在后方位 120° 位置时，具有很强的声音抑制特性，属于收音较弱的区域，调节麦克风位置，让监听音箱等不必要的音源位于这些角度，而不是麦克风的正后



超心型麦克风的扬声器推荐位置

6.麦克风与连接线分离时，可握住插头并按压卡依扣键，将线材拔出即可。

■ 安全警示

为避免电击、高温、着火、辐射、爆炸、机械危险以及使用不当等可能造成的人身伤害或财产损失，使用本产品前，请仔细阅读并遵守以下事项：

1. 使用产品时请确认所连设备与本产品是否匹配以及合理调整音量大小，不要在超过产品功率及大音量下长时间使用，以免造成产品异常；
2. 使用中若发现有异常（如冒烟、异味等），请立即关闭电源开关并拔掉电源插头，然后将产品送售后服务网点检修；
3. 本产品及配件都应放置在室内干燥通风处，请勿长期存放在潮湿、灰尘多的环境，使用中避免靠近火源、雨淋、进水、过度碰撞、抛掷、振动本机及覆盖通风孔，以免损坏其功能；
4. 若产品需要固定于墙壁或天花板时，请确保固定到位，防止因固定强度不足导致产品发生跌落危险；
5. 使用该产品时需遵守相关安全规定，法律法规明确禁止使用场合请勿使用本产品，以免导致意外事故；
6. 请不要自行拆机改装或维修，以防止出现人身伤害，如有问题或服务需求请联系当地售后服务网点跟进处理。

■ 关于图标含义解释



根据RL2004/108/EG和European Low Voltage Directive（欧洲低电压指令）RL2006/95/EG的测试结果表明，本产品符合欧共同体关于电磁兼容性的成员国法律整合的指令中所规定的限值。



未经合规方明确批准的变更或修改可能会使用户失去操作设备的权限。

此设备符合FCC规则第15条部分的要求。操作须符合以下两个条件：

- (1) 此设备可能不会造成有害干扰；
- (2) 此设备必须接受接收到的任何干扰，包括可能导致意外操作的干扰。



此符号表示，根据WEEE指令(2012/19/EU)和国家法律，由于这种类型的废弃物会有潜在的有害物质，可能对环境 and 人类健康产生负面影响，所以本产品不应与您的家庭垃圾一起处置，应将本产品交由授权的电气和电子设备(WEEE)回收站回收。同时，您在正确处理本产品的同时将有助于自然资源的有效利用。如需了解更多有关您可以在何处放置废物回收设备的信息，请联系您当地的城市办事处、废物管理局或家庭废物处理服务部门。

■ 关于本说明书

本说明书中内容符合截止印刷之日的技术规格。由于得胜公司会不断改进产品，本说明书可能不符合您的特定产品的技术规格。要获取最新版说明书，请访问得胜官网，然后下载说明书文件。技术规格、设备或另售的附件在各个地区可能有所不同，如有问题请与当地得胜经销商确认。如需更多支持和深层产品信息，请浏览得胜官方网站：

<https://www.takstar.com/>

■ 环保说明

产品中有毒有害物质或元素的名称及含量标识表

部件名称	有毒有害物质或元素					
	铅 (Pb)	汞 (Hg)	镉 (Cd)	六价铬 (Cr(VI))	多溴联苯 (PBB)	多溴二苯醚 (PBDE)
塑料部件	○	○	○	○	○	○
金属部件	×	○	○	○	○	○
电路板组件	×	○	○	○	○	○
线缆	×	○	○	○	○	○

本表格依据SJ/T 11364的规定编制。

○: 表示该有害物质在该部件所有均质材料中的含量均在 GB/T 26572规定的限量要求以下。

×: 表示该有害物质至少在该部件的某一均质材料中的含量超出 GB/T 26572规定的限量要求。

此标志为产品的环保使用期限标志，
且此环保使用期限只适用于产品正常工作的温度和湿度等条件。



■ Preface

Dear Customer,

Thank you for purchasing Takstar GH1 Wired Dynamic Microphone. In order to better understand and use the product, please read this manual carefully.

■ Features

- High-performance dynamic vocal microphone, stable and reliable
- High-precision metal mic grille, anti-oxidation and drop-proof, minimum mechanical and vibration noise
- Sturdy all-metal body, durable and resistant to wear
- Supercardioid pickup pattern, for better gain before feedback while rejecting ambient noise
- Tailored frequency response for vocals, which improves vocal performance and reduces proximity effect

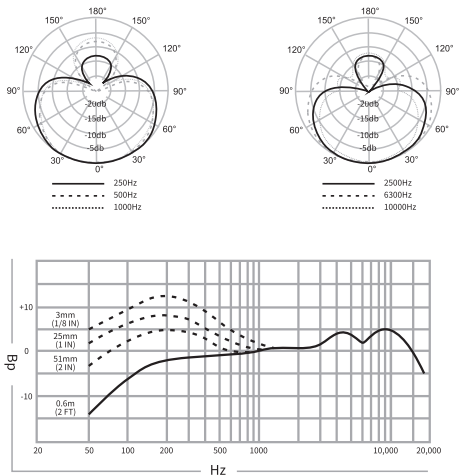
■ Applications

Suitable for live and stage performance

■ Package Contents

Microphone.....	1 pc
Microphone Clamp.....	1 pc
Storage Bag.....	1 pc
User Manual.....	1 pc

■ Specifications

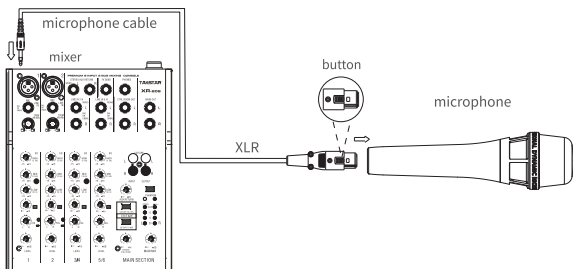


- Type: Dynamic
- Polar Pattern: Supercardioid
- Frequency Response: 20Hz-20KHz
- Sensitivity: -52.37dB (0dB=1v/Pa at 1KHz)
- Output Impedance: $250\Omega \pm 30\%$ (at 1KHz)
- Peak SPL: 138dB (THD<1% at 1KHz)
- Net Weight: 341g

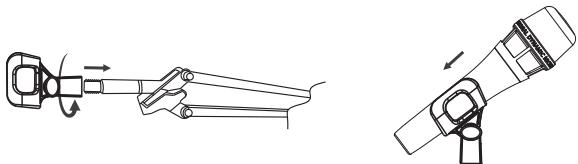
Note: The above data are measured by Takstar laboratory.

■ Operation Instructions

1. To connect the mic with XLR cable, align the XLR connector with the 3-pin connector on mic, then insert fully until the XLR lock button locks in place.
2. Connect the other end of the XLR cable with audio device, e.g., mixer, power amplifier, audio interface.



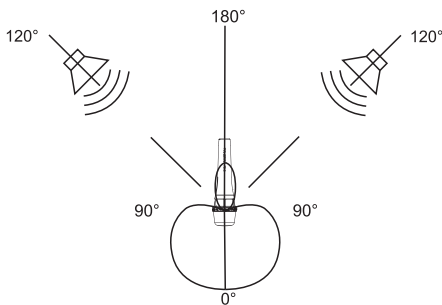
3. Hold the mic by hand, or install it on a stand. For stand installation, first fix the mic clamp onto the 3/8" or 5/8" standard-threaded connector on the stand, then secure the mic onto the clamp as shown below:



4. Please turn the volume to the minimum on the audio device (e.g., audio interface, mixer) before switching on the phantom power. Then gradually increase the volume to an appropriate level. This helps to prevent the speakers from being damaged by high sound pressure. Keep a proper distance between the mic and the speakers to avoid feedback howling and ensure audio quality.

5. Recommended speaker positions for supercardioid mics:

Sound rejection is at its strongest when positioned at about 120° behind a supercardioid mic. Therefore, adjust the position of the mic so that unwanted sound sources such as monitor speakers are located at these angles, rather than directly behind the mic.



Recommended Speaker Positions for Supercardioid Mics


6. To disconnect the mic from XLR cable, press down the XLR lock button and unplug the cable.


■ Safety Instructions

To avoid electric shock, overheat, fire, radiation, explosion, mechanical risk and injury or property loss due to improper use, please read and observe the following items before use:

1. Please check if the power of the connected equipment matches with that of this product before operation. Adjust the volume to proper level during operation. Do not operate at over-power or high-volume level for extended time to avoid product malfunction or hearing impairment.
2. If there is any abnormality during use (e.g., smoke, strange odor), please kill the power switch and unplug from power source, then send the product to the local dealer for repair.
3. Keep this product and its accessories in a dry and ventilated area. Do not store in a humid or dusty area for extended time. Keep away from fire, rain, liquid intrusion, bumping, throwing, vibrating, or from blocking any ventilation openings, to prevent malfunction.
4. The product must, when installed on walls or ceilings, be fixed firmly in place at adequate strength to prevent from falling.
5. Please abide by safety rules during operation. Do not use the product in places prohibited by laws or regulations to avoid accident.
6. Do not disassemble or repair the product by yourself to avoid injury. If you have any questions or require any services, please contact our local dealer.

■ Label Meanings

 According to the test results obtained based on RL2004/108/EG (Electromagnetic Compatibility Directive) and RL2006/95/EG (Low Voltage Directive), this product complies with the limits specified in the European Community EMC (Electromagnetic Compatibility) Directive, an integration of relevant laws from its member states.

 NOTE: This equipment has been tested and found to comply with the limits for a Class B digital device, pursuant to part 15 of the FCC Rules. These limits are designed to provide reasonable protection against harmful interference in a residential installation. This equipment generates uses and can radiate radiofrequency energy and, if not installed and used in accordance with the instructions, may cause harmful interference to radio communications. However, there is no guarantee that interference will not occur in a particular installation. If this equipment does cause harmful interference to radio or television reception, which can be determined by turning the equipment off and on, the user is encouraged to try to correct the interference by one or more of the following measures:

- Reorient or relocate the receiving antenna.
- Increase the separation between the equipment and receiver.
- Connect the equipment into an outlet on a circuit different from that to which the receiver is connected.
- Consult the dealer or an experienced radio/TV technician for help

Changes or modifications not expressly approved by the party responsible for compliance could void the user's authority to operate the equipment.

This device complies with Part 15 of the FCC Rules. Operation is subject to the following two conditions:

- (1) this device may not cause harmful interference, and
- (2) this device must accept any interference received, including interference that may cause undesired operation.



This symbol indicates that, according to WEEE (Waste of Electrical and Electronic Equipment) Directive (2012/19/EU) and national laws, this type of waste should not be discarded along with your household waste, as it contains potentially hazardous substances that may pose a negative impact on the environment and human health. It should be handed over to an authorized WEEE collection facility for recovery and recycle. Herewith you will be helping For more information on disposal of WEEE products, please contact your local municipality, waste management bureau or household waste disposal service.

■ About This Manual

This manual contains up-to-date technical specifications as of printing. However, specifications contained herein may not conform to your particular product since Takstar is constantly improving its products. For the latest version/more information, please visit our website: <https://www.takstar.com/>

Specifications, devices or accessories available may vary from region to region. If you have any questions, please contact our local dealer.

注意事项:

1. 本单为保修凭证, 请用户妥善保管, 如有遗失, 恕不保修或退换。
2. 保修期限制: 购买之日起十二个月内。
3. 除了不可抗力事件损坏外, 由本公司负责, 免费维修。
4. 如属保管不善或使用不当造成的损坏, 维修点将酌情收费。
5. 擅自拆卸维修者, 不予保修。
6. 以上保修条款仅限于中国市场适用 (不含港澳台地区)。

产品服务保证书

姓名: _____ 电话: _____ 地址: _____
 商品: _____ 型号: _____ 购买日期: _____ 年 ___ 月 ___ 日

维修记录栏 (由维修员填写)	维修员签名	日期

◆ 广东得胜电子有限公司 ◆ 电话: 400-6828-333 ◆ 地址: 广东省惠州市博罗县龙溪街道富康一路2号



扫一扫，了解更多产品
Scan for more
product information

广东省电声工程技术研究开发中心 广东得胜电子有限公司制造

地址：广东省惠州市博罗县龙溪街道富康一路2号
服务热线：400 6828 333 传真：0752 6383950
邮箱：xs@takstar.com
网址：www.takstar.com

Guangdong Takstar Electronic Co., Ltd.
Address: No. 2 Fu Kang YiRd., Longxi Boluo
Huizhou, Guangdong 516121 China
Tel: 86 752 6383644 Fax: 86 752 6383952
Email: sales@takstar.com
Website: www.takstar.com